

Ignition and sensing electrodes FE, FZE

Technical Information · GB
8 Edition 06.16

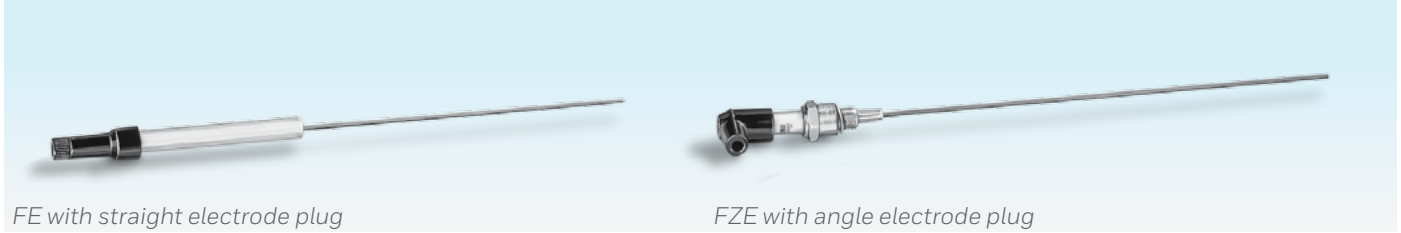
- For ignition and monitoring of gas burners
- Available in various lengths, both with and without an insulator
- Optionally available accessories



Contents

Ignition and sensing electrodes FE, FZE.....	1
Contents	2
1 Application	3
2 Selection	4
3 Accessories	5
3.1 Electrode holders	5
3.2 Electrode plugs	5
4 Technical data	6
4.1 Dimensions	6
Feedback.....	7
Contact.....	7

1 Application



The ignition and sensing electrodes FE and FZE are designed for ignition and monitoring of gas burners.

The ignition and sensing electrode FZE is available in various lengths, both with and without an insulator.

For optionally available accessories such as electrode holders or plugs, see page 4 (Selection).

2 Selection

FE

Electrode with insulator for ignition and monitoring

Type	With insulator	Length of electrode rod [mm]
FE 200	●	200

FZE

Electrodes with or without insulator for ignition and monitoring

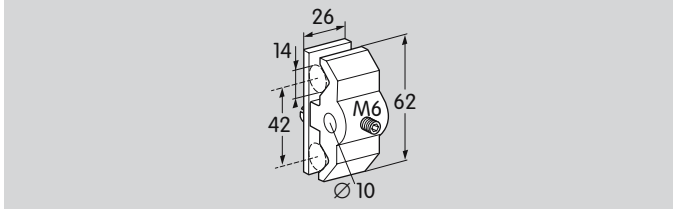
Type	Insulator		Length of electrode rod* [mm]
	Without	With	
FZE 300	●	●	300
FZE 400	●	●	400
FZE 500	●	●	500
FZE 600	●	●	600

* Other lengths on request.

3 Accessories

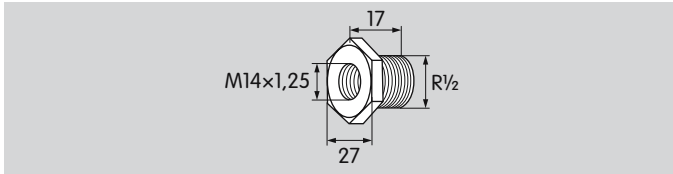
3.1 Electrode holders

FE



Order No. 75442337

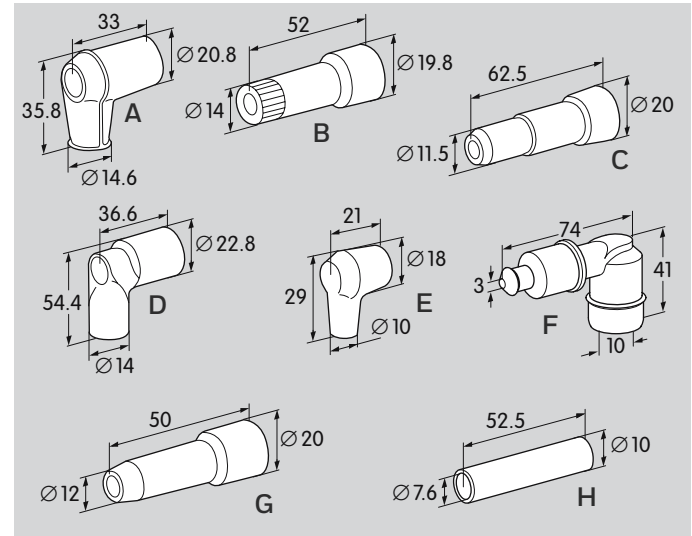
FZE



Adapter piece R1/2 – M14 × 1.25

Order No. 34453650

3.2 Electrode plugs



	Connection Ø [mm]	Interference- suppressed	Material/ Enclosure	Order No.
A	4	-	PBT	04115301
B	4	-	PBT	04115302
C	6	●	PBT	04115306
D	4	●	PBT	04115308
E	4	-	Silicone rubber	04115309
F	4	●	PBT and silicone rubber/IP 54	75459221
G	4	-	Ceramics	04115314
H	7	●	Epoxy resin	04115319

Feedback

Finally, we are offering you the opportunity to assess this “Technical Information (TI)” and to give us your opinion, so that we can improve our documents further and suit them to your needs.

Clarity

- Found information quickly
- Searched for a long time
- Didn't find information
- What is missing?
- No answer

Comprehension

- Coherent
- Too complicated
- No answer

Scope

- Too little
- Sufficient
- Too wide
- No answer



Use

- To get to know the product
- To choose a product
- Planning
- To look for information

Navigation

- I can find my way around
- I got “lost”
- No answer

My scope of functions

- Technical department
- Sales
- No answer

Remarks

Contact

Elster GmbH
Postfach 2809 · 49018 Osnabrück
Strothweg 1 · 49504 Lotte (Büren)
Germany

Tel +49 541 1214-0
Fax +49 541 1214-370
info@kromschroeder.com
www.kromschroeder.com

The current addresses of our international agents
are available on the Internet:
www.kromschroeder.de/Weltweit.20.0.html?&L=1

We reserve the right to make technical
modifications in the interests of progress.
Copyright © 2016 Elster GmbH
All rights reserved.

Honeywell

krom
schroeder