

ECLIPSE WINNOX BURNERS

*Efficient and Simple,
Winnox Burners Meet
Tomorrow's Emissions
Mandates Today*

Designed to comply with the global emissions mandates of the 21st century, Winnox burners are also simple to set up and operate.

Ideal for air heating and oven applications, Winnox burners incorporate direct-spark ignition and a ratio regulator to fire efficiently over a wide gas turndown range at a controlled ratio.

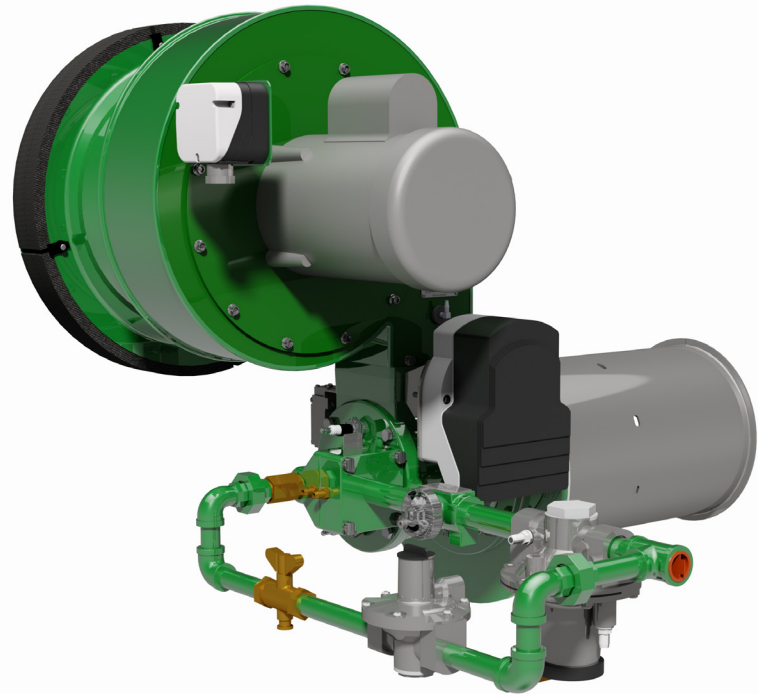
- Patented nozzle design allows for intense mixing of air and fuel resulting in extremely low emissions.
- Ultra-low Nox, less than 20ppm in most applications.
- And...low CO. Virtually no CO emissions during normal operation.
- Short flame is completely contained within the firing tube due to intense swirl generated by the nozzle.

Ready for the world

Winnox burners combine advanced engineering with installation and operational features that are truly world class.

- Multi-fuel capability (natural gas, propane, butane).
- Simple, accurate burner control due to integral butterfly valve and ratio-regulator design.

**Low Emission
Air Heating Burners**

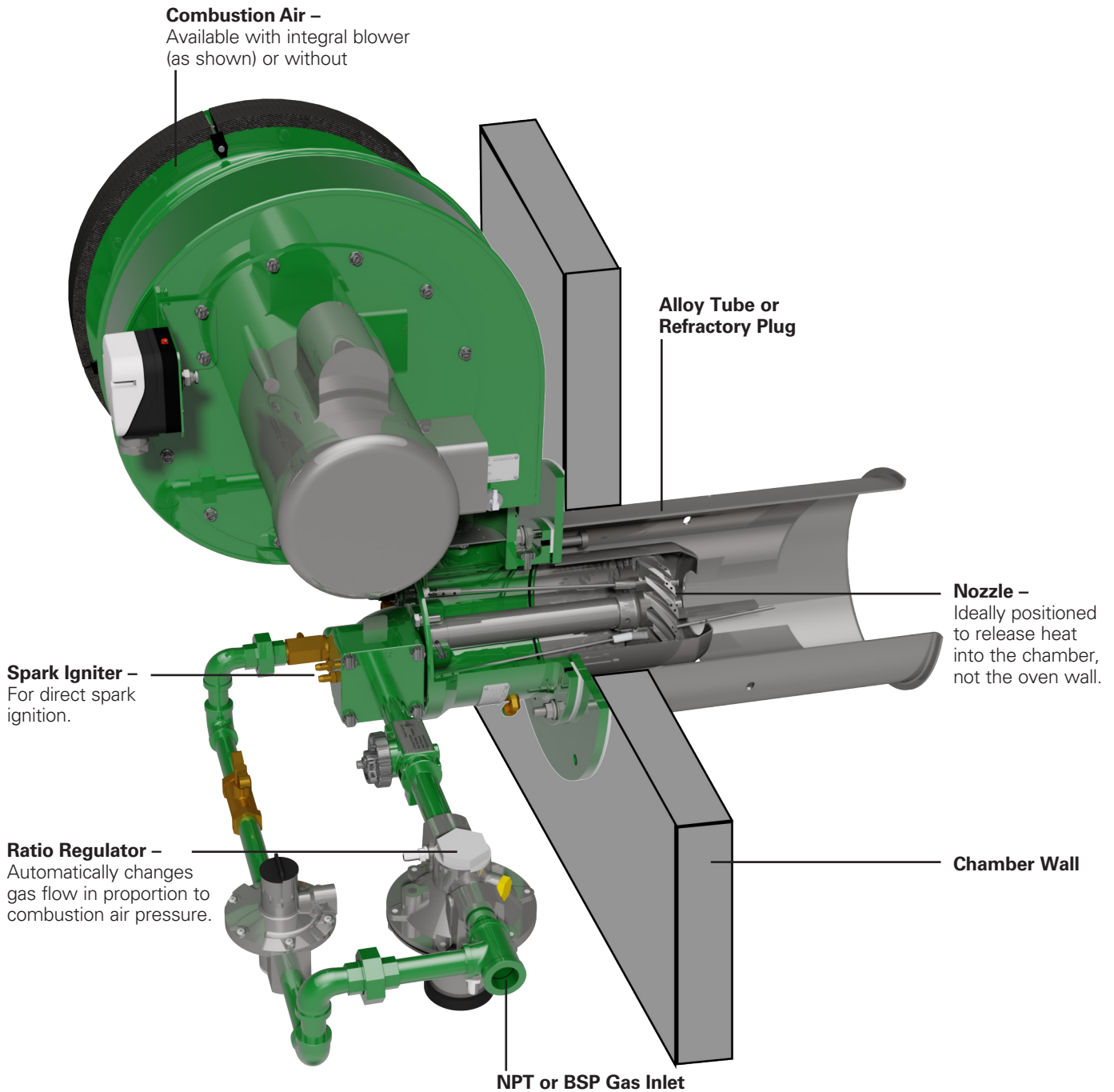


- Packaged convenience. Winnox burners are provided with blowers for ease of installation and at 50 Hz. or 60 Hz. for global application. They are also available with alloy tubes or a refractory combustor to meet the demands of customer requirements.
- Modular design means a variety of options and configurations are available, including NPT or BSP inlet pipe threads.

Consider the many user-preferred features of Winnox before investing in your next air heating burner.

Winnox Burners

Setting new standards for low emissions.



Honeywell
ECLIPSE®